

AIR AND GAS FLOAT TRAPS FA16SS

DESCRIPTION

The FA16SS series are fully automatic ball float traps, extremely compact in dimension and light in weight, specially designed for draining water from compressed air lines.

Usual applications include aftercoolers, separators and compressed air mains.

MAIN FEATURES

- Corrosion resistant.
- Replaceable internal parts.
- Modulating discharge.
- Unaffected by sudden or wide load and pressure changes.

OPTIONS: Compression fitting.
Hand purging knob.

USE: Compressed air and non corrosive gases compatible with the construction.

AVAILABLE MODELS: FA16SS – stainless steel.

SIZES: 1/2" and 3/4".

CONNECTIONS: Female threaded ISO 7 Rp or NPT.
1/2" or 3/4" vertical inlet (top to bottom).
1/2" vertical outlet.

INSTALLATION: Vertical installation. It must be installed absolutely vertically at the points in the plant where the condensate tends to collect.
The drain should be piped to a safe position.
See IMI – Installation and maintenance instructions.



With hand purging knob

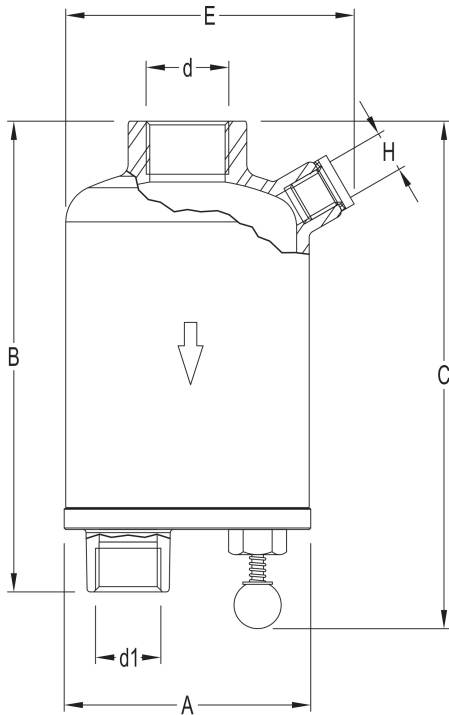
| APPLICATION LIMITS | |
|---------------------------------------|-------------------------|
| Minimum liquid specific weight | 0,75 kg/dm ³ |
| Maximum working differential pressure | 14 bar |

| CE MARKING – GROUP 2 (PED – European Directive) | |
|---|----------|
| PN 16 | Category |
| 1/2" to 3/4" | SEP |

| BODY LIMITING CONDITIONS | |
|------------------------------|---------------------|
| THREADED PN 16 ALLOW. PRESS. | RELATED TEMPERATURE |
| 16 bar | 100 °C |
| 14,5 bar | 150 °C |
| 13,4 bar | 200 °C |
| 12,7 bar | 250 °C |

PMO – Max. operating pressure: 14 bar;
TMO – Max. operating temperature: 180 °C.

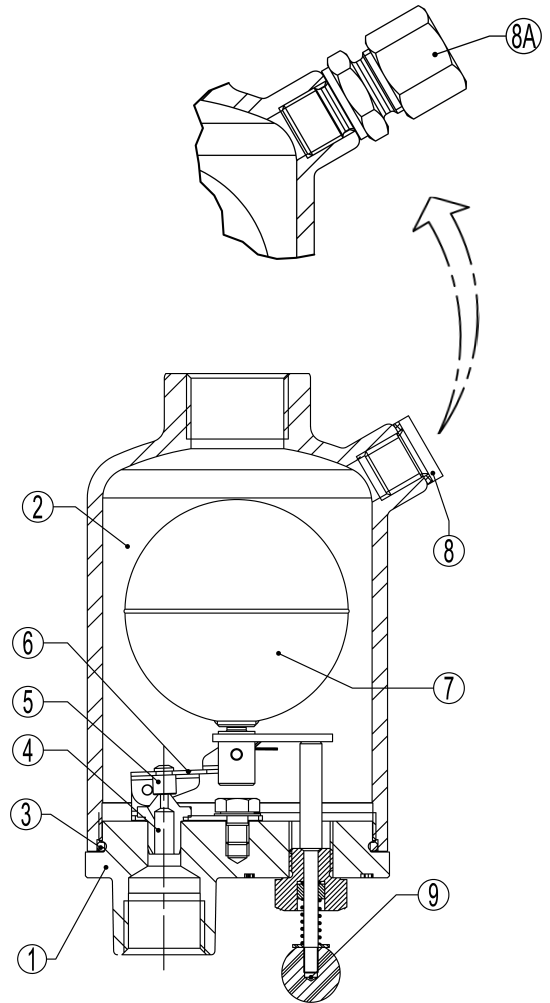
| FLOW RATE CAPACITY (kg/h) | | | | | | | | | | | | | | |
|---------------------------|--------------|-----------------------------|-----|-----|-----|-----|-----|-----|-----|-----|-----|-----|-----|-----|
| MODEL | SIZE | DIFFERENTIAL PRESSURE (bar) | | | | | | | | | | | | |
| | | 0,5 | 1 | 1,5 | 2 | 3 | 4 | 6 | 7 | 8 | 9 | 10 | 12 | 14 |
| FA16SS | 1/2" to 3/4" | 120 | 145 | 180 | 190 | 230 | 250 | 300 | 330 | 340 | 360 | 380 | 400 | 430 |



| DIMENSIONS (mm) | | | | | | | | |
|-----------------|------|------|----|-----|-----|----|------|-------------|
| SIZE | d | d1 | A | B | C | E | H | WEIGHT (kg) |
| 1/2" | 1/2" | 1/2" | 80 | 151 | 163 | 92 | 1/4" | 1,6 |
| 3/4" | 3/4" | 1/2" | 80 | 151 | 163 | 92 | 1/4" | 1,6 |

| MATERIALS | | |
|-----------|-------------------------|--|
| POS. N° | DESIGNATION | MATERIAL |
| 1 | Body | A351 CF8M / 1.4408; AISI 316 / 1.4401 |
| 2 | Cover | A351 CF8M / 1.4408; AISI 316 / 1.4401 |
| 3 | * O-ring | NBR |
| 4 | * Seat | AISI 316 / 1.4401 |
| 5 | * Valve | Viton |
| 6 | * Lever | AISI 304 / 1.4301 |
| 7 | * Float | AISI 304 / 1.4301 |
| 8 | Balance pipe connection | A351 CF8M / 1.4408; AISI 316 / 1.4401 |
| 8A | ** Compression fitting | Fe/Zn 12 – ISO 2081 |
| 9 | ** Hand purging knob | AISI 304 / 1.4301 |

* Available spare parts. ** Optional, against extra price.



TYPICAL INSTALLATION

